

DINOLift
Up to the Job



DINO® TRAILERS

DINO T/B Series

- Working heights 12.0 – 23.0 m
- Telescopic boom – large outreach
- Simple and reliable

Trailer mounted T/B series

Standard features in all DINO T/B -models:

- Lightweight, robust, cost-effective
- Driving system; easy to move at work site (picture 1)
- Spacious, easy-entry basket; capacity 215 kg *(picture 2)
- Large outrigger plates 280 x 360 mm (picture 3)
- Continuous rotation of the boom; easy and functional
- Basket rotation 90° *
- Proportional controls*
- Stable to tow
- Easy and fast setup; perfect solution for short time jobs
- Simple to use, clear and informative controls (pictures 4 and 5)
- Powerful charger; machine can be operated directly when charging the batteries. (TB series)
- High-capacity batteries, 4 x 6VDC, 235Ah. Work one day with overnight charge. (TB series)

*) except in 120T/B



Options for all DINO T/B-models

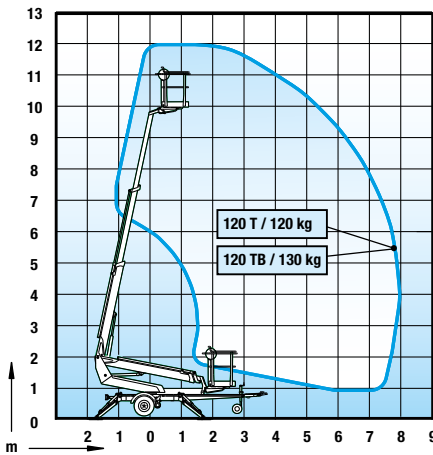
- Petrol power pack (T series)*
*) standard in 230T
- Cable steering for driving (picture 6)
- Outrigger support indicator (picture 7)
- LED working lights
- Extra outrigger plates, 500 x 500 x 35 mm + bracket
- Lockable tool / harness box (picture 8)
- 2kW Honda generator + bracket for charging batteries where 230VAC is not available (TB series) (picture 9)
- Rack for tools and accessories
- Spare wheel



DINO 120T/B

- 1-person steel basket
- Full outreach with maximum basket capacity

Technical data

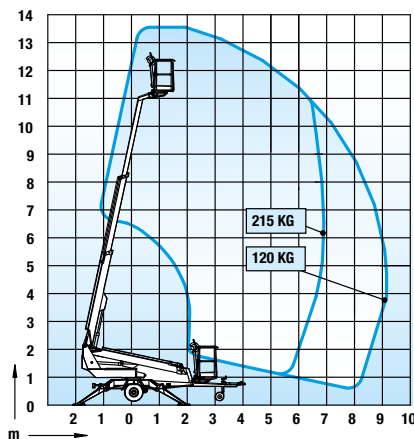


	120T	120TB
Max. working height	12.00 m	12.00 m
Max. platform height	10.00 m	10.00 m
Max. outreach	7.90 m	7.90 m
Support width	3.15 / 3.55 m	3.15 / 3.55 m
Lifting capacity	120 kg	130 kg
Basket size	0.75 x 0.80 m	0.75 x 0.80 m
Boom rotation	cont.	cont.
Boom control	2-speed	2-speed
Transport length	5.52 m	5.52 m
Transport width	1.72 m	1.72 m
Transport height	1.96 m	1.96 m
Weight	1285 kg	1390 kg
Driving system	std	std
AC socket in the basket x 2	std	std
Electro motor	std	-
Petrol power pack	opt.	-
Batteries 140 Ah	-	std
DC Motor	-	std
Gradeability	25 %	25 %



DINO 135T/B

Technical data

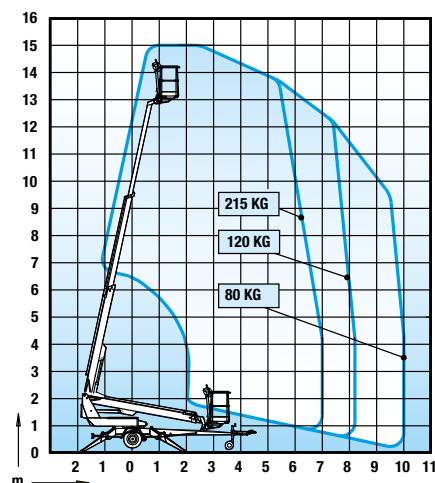


	135T	135TB
Max. working height	13.50 m	13.50 m
Max. platform height	11.50 m	11.50 m
Max. outreach	9.10 m	9.10 m
Support width	3.8 / 4.2 m	3.8 / 4.2 m
Lifting capacity	215 kg	215 kg
Basket size	0.7 x 1.3 m	0.7 x 1.3 m
Boom rotation	cont.	cont.
Basket rotation	90 °	90 °
Boom control	proport.	proport.
Transport length	5.96 m	5.93 m
Transport width	1.78 m	1.78 m
Transport height	2.16 m	2.16 m
Weight	1635 kg	1765 kg
Driving system	std	std
AC socket in the basket x 2	std	std
Electro motor	std	-
Petrol power pack	opt.	-
Batteries 235 Ah	-	std
DC Motor	-	std
Gradeability	25 %	25 %



DINO 150T/B

Technical data

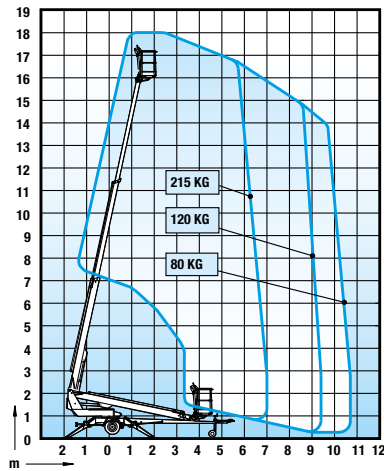


	150T	150TB
Max. working height	15.00 m	15.00 m
Max. platform height	13.00 m	13.00 m
Max. outreach	10.00 m	10.00 m
Support width	3.8 / 4.2 m	3.8 / 4.2 m
Lifting capacity	215 kg	215 kg
Basket size	0.7 x 1.3 m	0.7 x 1.3 m
Boom rotation	cont.	cont.
Basket rotation	90 °	90 °
Boom control	proport.	proport.
Transport length	6.53 m	6.50 m
Transport width	1.78 m	1.78 m
Transport height	2.24 m	2.24 m
Weight	1675 kg	1835 kg
Driving system	std	std
AC socket in the basket x 2	std	std
Electro motor	std	-
Petrol power pack	opt.	-
Batteries 235 Ah	-	std
DC Motor	-	std
Gradeability	25 %	25 %



DINO 180T/B

Technical data



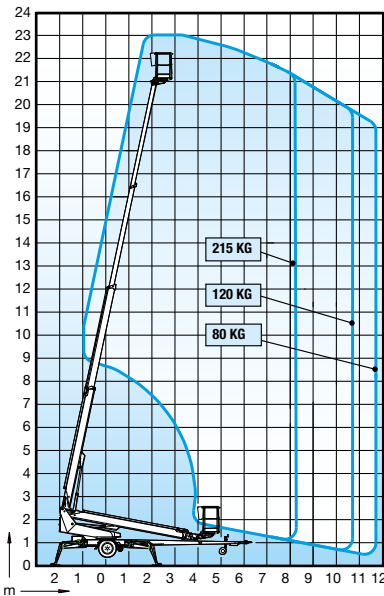
	180T	180TB
Max. working height	18.00 m	18.00 m
Max. platform height	16.00 m	16.00 m
Max. outreach	10.70 m	10.70 m
Support width	3.8 / 4.2 m	3.8 / 4.2 m
Lifting capacity	215 kg	215 kg
Basket size	0.7 x 1.3 m	0.7 x 1.3 m
Boom rotation	cont.	cont.
Basket rotation	90 °	90 °
Boom control	proport.	proport.
Transport length	7.46 m	7.42 m
Transport width	1.78 m	1.78 m
Transport height	2.19 m	2.19 m
Weight	1840 kg	1945 kg
Driving system	std	std
AC socket in the basket x 2	std	std
Electro motor	std	-
Petrol power pack	opt.	-
Batteries 235 Ah	-	std
DC Motor	-	std
Gradeability	25 %	25 %



DINO 230T

- **Generator as standard; providing a power source for both the platform and tools**
- **Spider outriggers; great leveling capability in slopy terrain**
- **Robust boom; stable movements and large outreach**

Technical data



Max. working height	23.00 m
Max. platform height	21.00 m
Max. outreach	11.70 m
Support width	4.40 / 4.85 m
Lifting capacity	215 kg
Basket size	0.7 x 1.3 m
Boom rotation	cont.
Basket rotation	90 °
Boom control	proport.
Transport length	8.15 m
Transport width	2.05 m
Transport height	2.24 m
Weight	2960 kg
Driving system	std
AC socket in the basket x 2	std
Electro motor	std
Generator pack	std
Gradeability	25 %



Technical specifications are subject to change without prior notice.

DINOLIFT
Up to the Job

Dinolift Oy
Raikkolantie 145 • FI-32210 LOIMAA • FINLAND
Tel. +358 (0)20 1772 400 • Fax +358 (0)2 76 27 160
www.dinolift.com